

## SG-PTD5032NIL

### - 5Megapixel 32x Starlight Network PTZ Dome Camera



## 1. Features

- > 1/2.8" Sony Starvis progressive scan CMOS.
- > Powerful 32x optical zoom (4.7~150mm).
- > Starlight technology.
- > H.265 Encoding, 3 Streams.
- > Max. 5MP(2560×1920) Resolution.
- > Support various IVS functions.
- > Support EIS and Electronic Defog.
- > IR distance up to 150m.
- > IP66 protection level.
- > Hisilicon new generation of AI noise reduction ISP, restoring the true color world.

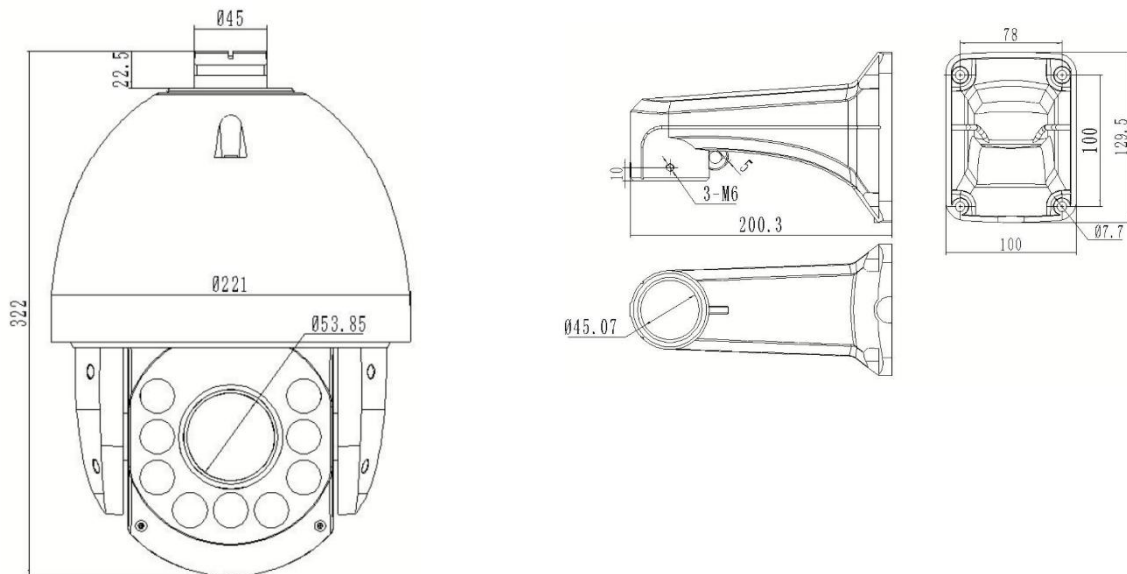
## 2. Specification

Model		SG-PTD5032NIL			
Sensor	Image Sensor	1/2.8" Sony Starvis progressive scan CMOS			
	Effective Pixels	Approx. 5.12 Megapixel			
Lens	Focal Length	4.7mm~150mm, 32x Optical Zoom			
	Aperture	F1.6~F4.3			
	Field of View	H: 57.15°~1.96°, V: 44.44°~1.17°, D: 68.50°~2.44°			
	Close Focus Distance	0.1m~5m (Wide~Tele)			
	Zoom Speed	Approx. 4s (Optical Wide~Tele)			
	DORI Distance (Human)	Detect	Observe	Recognize	Identify
Video	Compression	2,993m	1,188m	599m	299m
		H.265/H.264/H.264H/H.265B/MJPEG			

	Streaming Capability	3 streams
	Resolution	Main Stream: 50fps@(2560×1920); 50/60fps@(2560×1440, 1920×1280, 1280×720) Sub Stream1: 50/60fps@(704×576, 352×288) Sub Stream2: 50/60fps@(1920×1080, 1280×720, 704×576)
	Video Bit Rate	32kbps~16Mbps
Network	Network Protocol	IPv4, IPv6, HTTP, HTTPS, TCP, UDP, RTSP, RTCP, RTP, ARP, NTP, FTP, DHCP, PPPoE, DNS, DDNS, UPnP, IGMP, ICMP, SNMP, SMTP, QoS, 802.1x, Bonjour
	API	ONVIF, HTTP API, SDK
	Web Browser	IE, Edge, Firefox, Chrome
	User	Up to 20 users, 2 level: Administrator, User
	Storage	Micro SD/SDHC/SDXC card (Up to 1TB) edge storage, FTP, NAS
	Multicast	Support
General Events		Motion, Tamper, SD Card, Network
IVS		Tripwire, Cross Fence Detection, Intrusion, Abandoned Object, Fast-Moving, Parking Detection, Crowd Gathering Estimation, Missing Object, Loitering Detection.
S/N Ratio		≥55dB
Minimum Illumination		Color: 0.001Lux/F1.6; B/W: 0.0001Lux/F1.6
Noise Reduction		2D/3D/AI Noise Reduction
Exposure Mode		Auto, Aperture Priority, Shutter Priority, Gain Priority, Manual
Exposure Compensation		Support
Shutter Speed		1/1~1/30000s
BLC		Support
HLC		Support
WDR		Support
IR Distance		150m
White Balance		Auto, Manual, Indoor, Outdoor, ATW, Sodium lamp, Street lamp, Natural, One Push
Day/Night		ICR(Auto/Manual)
Focus Mode		Auto, Manual, Semi Auto, Fast Auto, Fast Semi Auto, One Push AF
Electronic Defog		Support
Heat Haze Reduction		Support
Flip		Support
EIS		Support
Digital Zoom		16x
PTZ	Pan/Tilt Range	Pan: 360°; Tilt: -5°~90°
	Pan Speed	Configurable, pan: 0.1°~180°/s; preset speed: 180°/s
	Tilt Speed	Configurable, tilt: 0.1°~60°/s; preset speed: 60°/s
	3D Position	Support
	Quick PTZ	Support

	Area Focus	Support
	Presets	255
	Patrol	4 Patrols, up to 10 presets for each patrol
	Pattern	1 pattern scan, 32 actions can be recorded continuously
	Line Scan	1
	360° Pan Scan	1
Interface	Power Supply	AC 24V
	Ethernet	RJ45(10Base-T/100Base-TX)
Working Conditions		-20°C~+60°C/20% to 95%RH
Power Supply		AC 24V/3A, PoE
Power Consumption		Day: 6W; Patrol: 9W; Night (Patrol+ IR): 28W
Protection Level		IP66; TVS 4000V Lightning Protection, surge prevention, B/T17626.5
Dimensions(L*W*H)		Φ221mm×322mm
Weight		6kg

### 3. Dimension



#### Hangzhou Savgood Technology Co., Ltd.

Rm. 1201, Xincheng Fazhan Building #1, No. 406 Xintiandi Street,  
Gongshu District, Hangzhou City, 310022, China

Tel: +86 - (571) 8803 8121

Email: sales@savgood.com

<http://www.savgood.com>

<http://www.savgoodtech.com>

\*Design and specifications are subject to change without prior notification.

© 2013 Savgood Technology Co., Ltd.